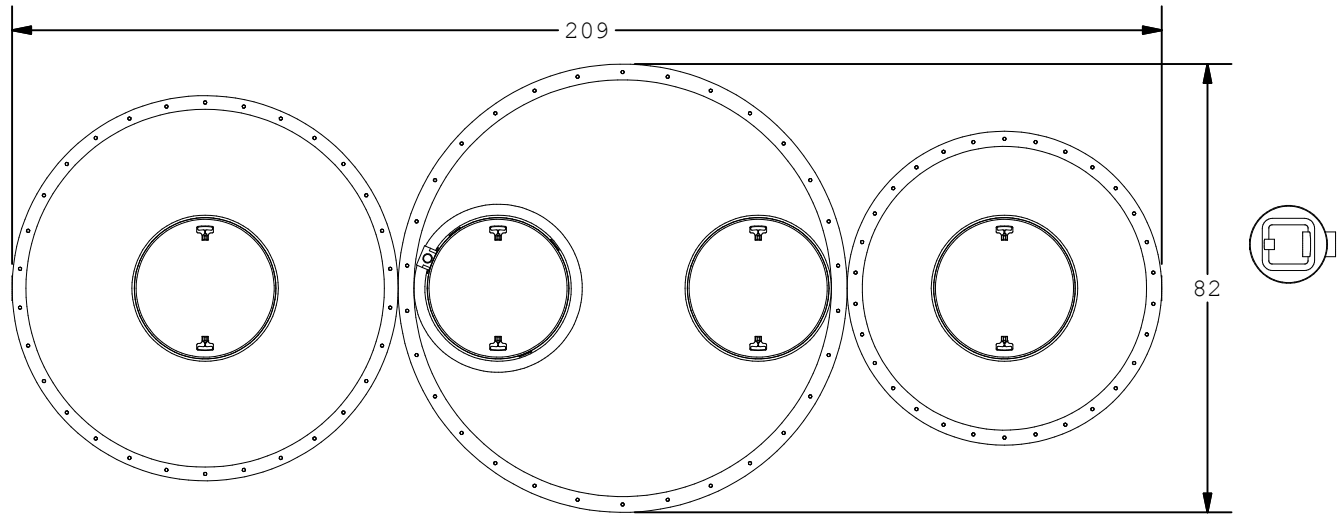
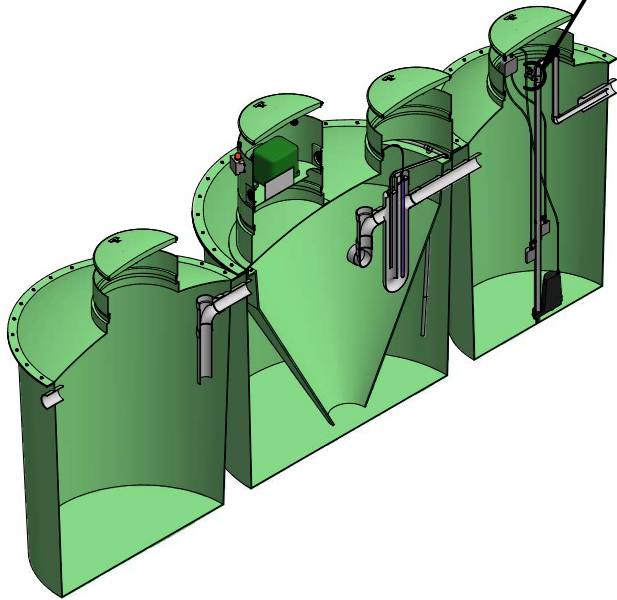
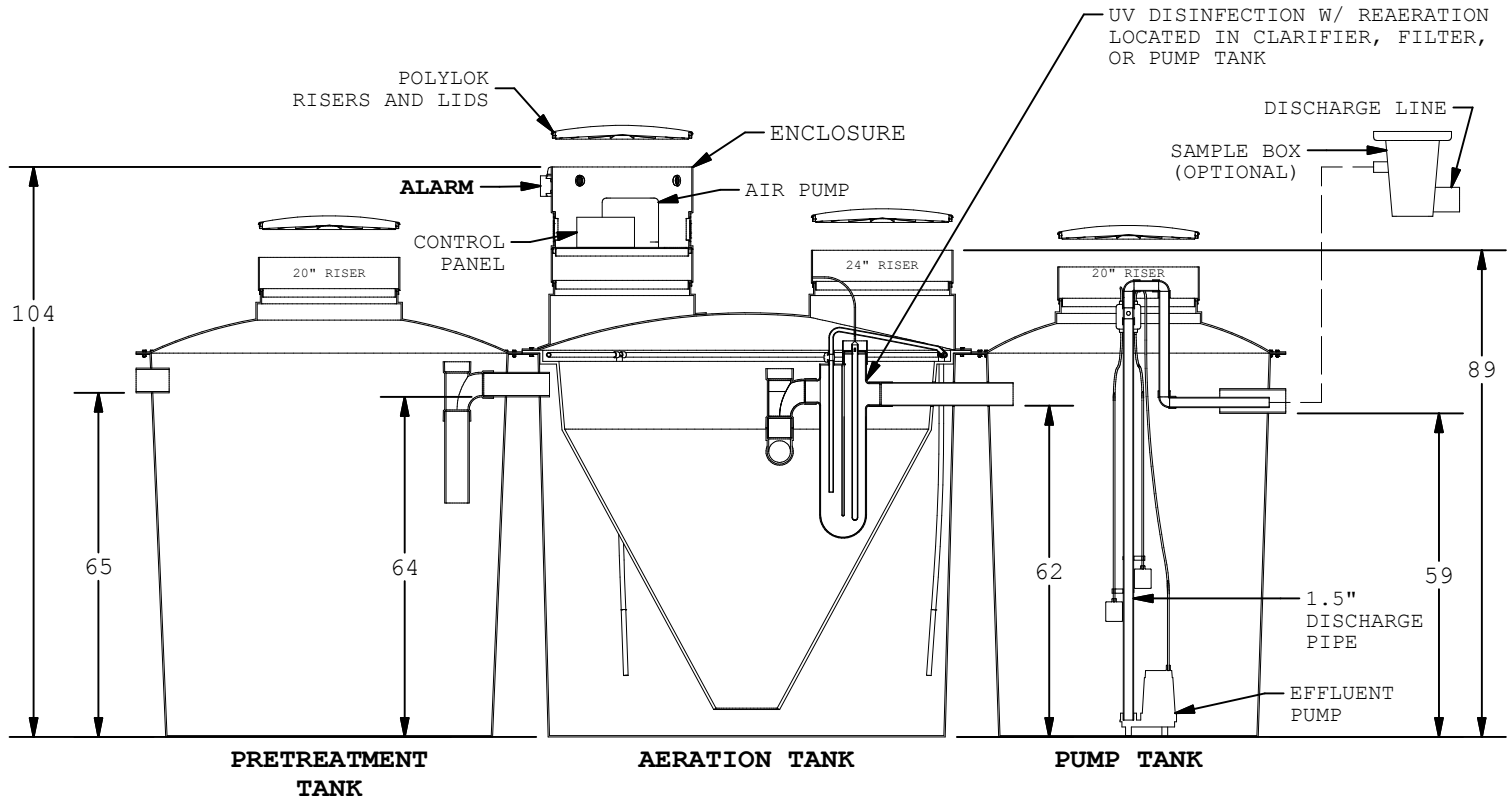
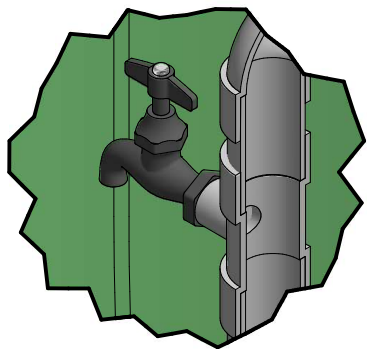


SAMPLE VALVE



SAMPLE VALVE



PART DESCRIPTION:

AP SERIES UV DISINFECTOR

TOLERANCES UNLESS OTHERWISE SPECIFIED
 FRACTIONS ANGLES
 ±1/2" ±1°

REV #: 1 / 35
 SCALE: 1 / 35
 DIMENSIONS ARE IN INCHES UNLESS OTHERWISE SPECIFIED

DATE: 9/13/2017
 PART #:

DRAWN BY: Israel Debro

SHEET #: 1 OF 1

AP-750/85+5 NPDES